

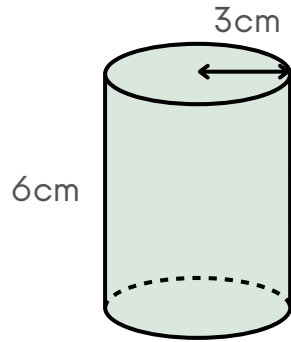
Name:

Date:

VOLUME: CYLINDERS

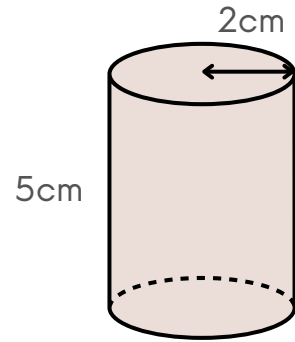
ANSWERS

1



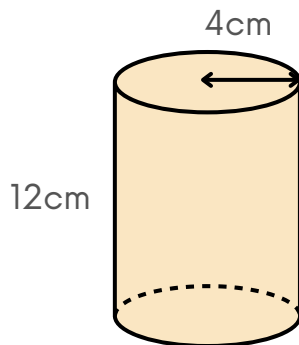
Volume = 169.65 cm^3

2



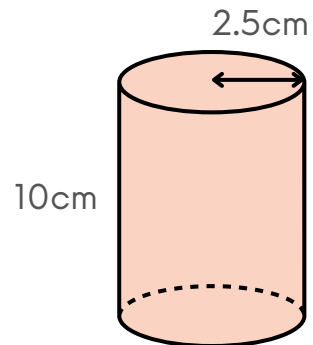
Volume = 62.83 cm^3

3



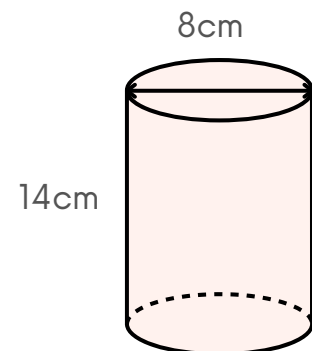
Volume = 603.19 cm^3

4



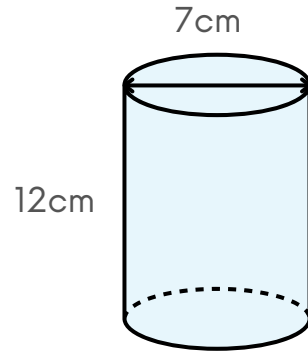
Volume = 196.35 cm^3

5



Volume = 703.72 cm^3

6



Volume = 461.81 cm^3